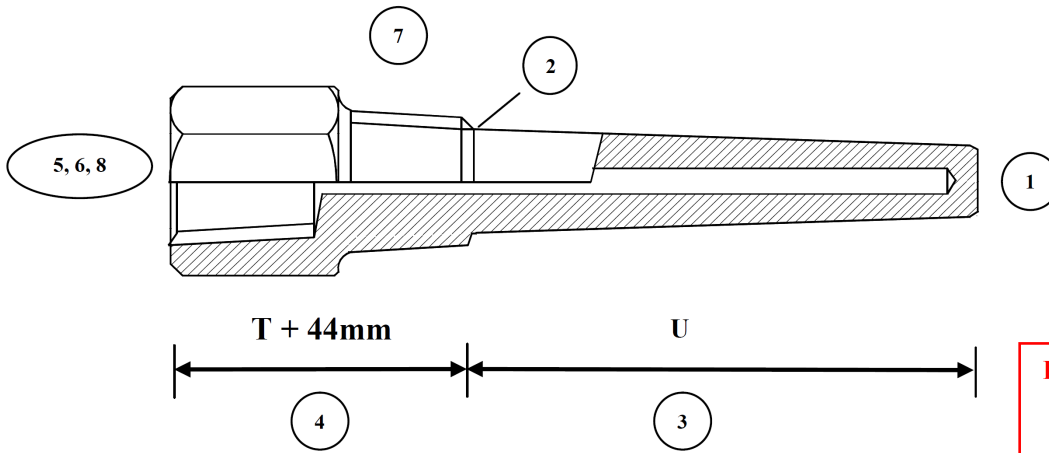


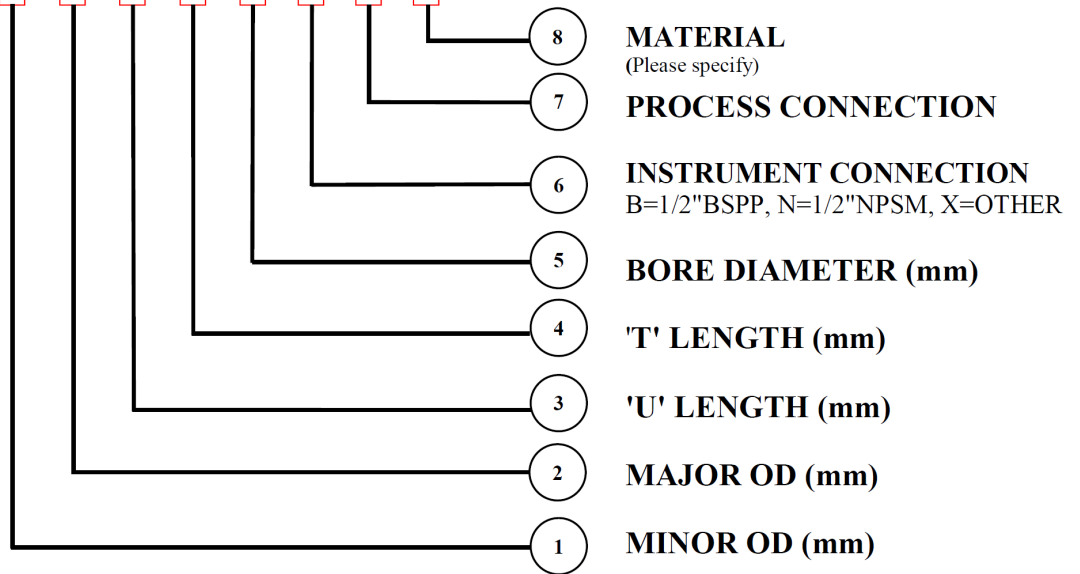
**THERMOWELL DATA SHEET
STYLE ST**



Refer to Drawing PY0240
for detail on instrument
connection

Type ST: Screwed Tapered

TW-ST-□-□-□-□-□-□-□-□



SELECTION

TW-ST - - - - - - - -

Special Requirements: _____