



Model Number

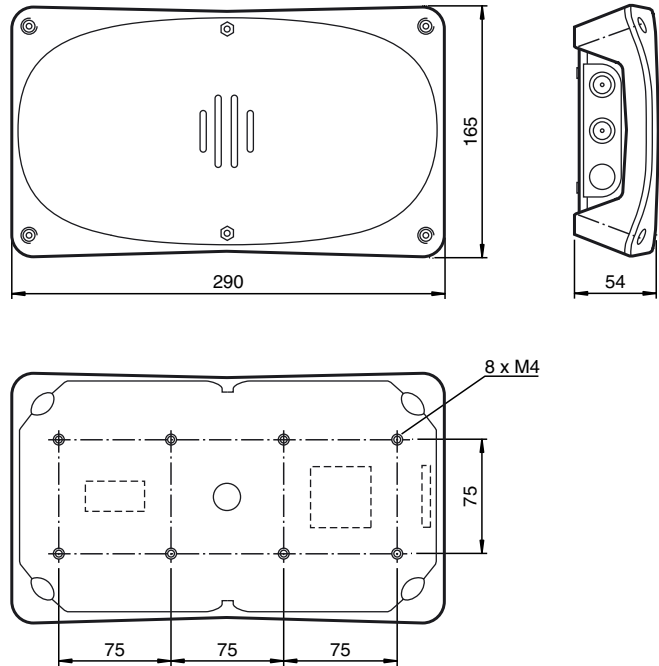
MTT6000-F120-B12-V45

System MT R/W system
With Ethernet interface for TCP/IP protocol

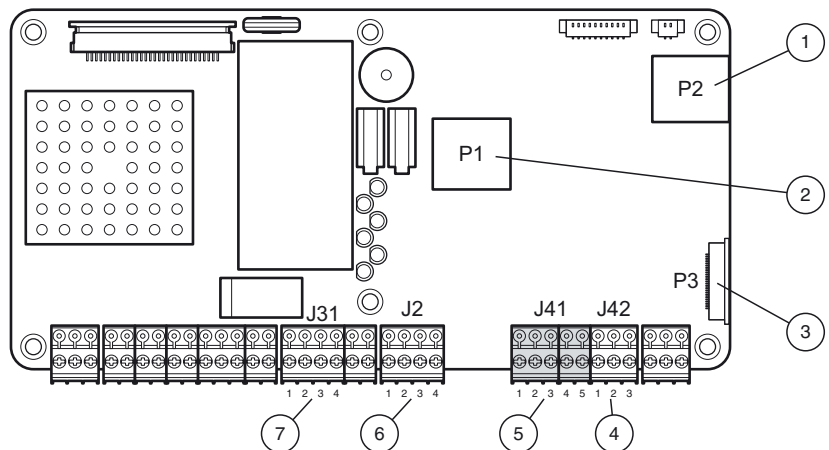
Features

- High reading distance up to 6 m
- Serial interfaces RS 232 and RS 485
- Ethernet interface with TCP/IP
- Stand-alone functionality
- Frequency hopping (FHSS)
- Multi-tag capability
- Integrated buzzer
- Degree of protection IP65

Dimensions



Electrical connection



- ① USB 2.0 Standard Type A
- ② Ethernet TCP/IP RJ45 Standard T586A
- ③ Micro SD Card
- ④ RS 232 Serial Communication Interface

Pin	Signal	Description
1	TX	Transmitted data (from Device to Host)
2	RX	Received data (from Host to Device)
3	GND	Ground

- ⑤ RS 485 Serial Communication Interface

Pin	Signal (4-wire)	Description	Signal (2-wire)	Description
1	TX+	Transmitted data (from Device to Host)	TX/RX+	Transmitted/Received data
2	TX-		TX/RX-	
3	GND	Ground	GND	Ground
4	RX+	Received data (from Host to Device)	n.c.	Not used
5	RX-		n.c.	

- ⑥ Wiegand / Magnetic stripe

- ⑦ Power Supply

Pin	Signal	Description
1,3	SPL	Positive DC supply input
2,4	RTN SPL	Negative DC supply input

Release date: 2015-03-26 12:24 Date of issue: 2015-04-02 200673_eng.xml

Technical data**General specifications**

Operating frequency	2.402 ... 2.482 GHz
Polarization	circular
Transfer rate	read: 4 kBit/s , 16 kBit/s write: 4 kBit/s
Operating distance	maximum: 6 m

Memory

Type/Size	Flash 16 MByte RAM 32 MByte
-----------	--------------------------------

Indicators/operating means

LED green/yellow/red	depending on the operating mode
----------------------	---------------------------------

Electrical specifications

Rated operating voltage	U_g	10 ... 30 V DC
Power consumption	P_0	typical 4.5 W max. 15 W

Interface 1

Physical	Ethernet
Protocol	TCP/IP
Transfer rate	10/100 Mbit/s

Interface 2

Physical	RS 232 or RS 485; for RS 485: full- (4-wire) or half-duplex (2-wire)
Protocol	ASCII
Transfer rate	1.2 ... 115.2 kBit/s

Input

Optocoupler	3 inputs
Input level	ON: ≥ 2.4 V , max. 30 V OFF: ≥ 0 V , max. 0.2 V

Output

Electronic	output 1: open-collector; 1 ... 30 V DC, max. 500 mA output 2: open-collector; 1 ... 30 V DC, max. 100 mA
Relay	switching current ≤ 2 A; $P_{max} = 50$ W switching voltage ≤ 220 V DC; 48 V AC

Ambient conditions

Ambient temperature	-20 ... 60 °C (-4 ... 140 °F)
Storage temperature	-20 ... 60 °C (-4 ... 140 °F)

Mechanical specifications

Degree of protection	IP65
Material	Plastic
Mass	3 kg
Dimensions	290 mm x 165 mm x 56 mm (W x H x D)

Compliance with standards and directives

Directive conformity	
R&TTE Directive 1995/5/EC	EN 60950, IEC 60215, ETS 300683, ETS 300440
Standard conformity	
Degree of protection	EN 60529

Notes**Connection**

An RJ-45 connector labelled P1, with two internal indicators, is provided for Ethernet connection. The clip for detaching the cable faces upwards from the controller board surface to allow mid-board mounts.

The Reader can be directly connected to a PC with an Ethernet cable. Automatic MDI/MDI-X crossover support makes it possible to use either a straight through cable or a crossover cable.

Note

The RJ-45 connector will not pass through the cable gland. Pass the Ethernet cable through the cable gland before crimping the connector on the cable.

Function

The read/write device MTT6000-F120-B12-V45 establishes a link between the code/data carriers of the RFID system MT and a higher-level computer (such as an industrial PC or PLC). The read/write device communicates with the computer via the interfaces Ethernet (TCP/IP), RS 232 or RS 485 (2 or 4 wire). The maximum range for reading read/write devices in the frequency range 2.45 GHz is 6 m.

In addition to offering many innovative functions, the read/write device also features frequency hopping (FHSS). This function enables the read/write device to "jump" between frequencies within the specified frequency band. This significantly reduces communication interference, especially when several read/write devices are used in close proximity to one another.

The system is also multi-tag capable, i.e. several code or data carriers are identified within the sensing range.

For further connections, the read/write device has been provided with a relay output, 3 optocoupler inputs as well as 2 open collector outputs.

The status of the read/write device is indicated by several integrated LEDs and a buzzer.

For further information, please refer to the system and device manuals.

Accessories**RFIDControl**

Software for RFID identification systems

MTA-MH09

Mounting bracket for pole and wall mounting

MTM-C1

Data carrier

MTM-C2

Data carrier

MTO-C1

Code carrier

MTO-C2

Code carrier