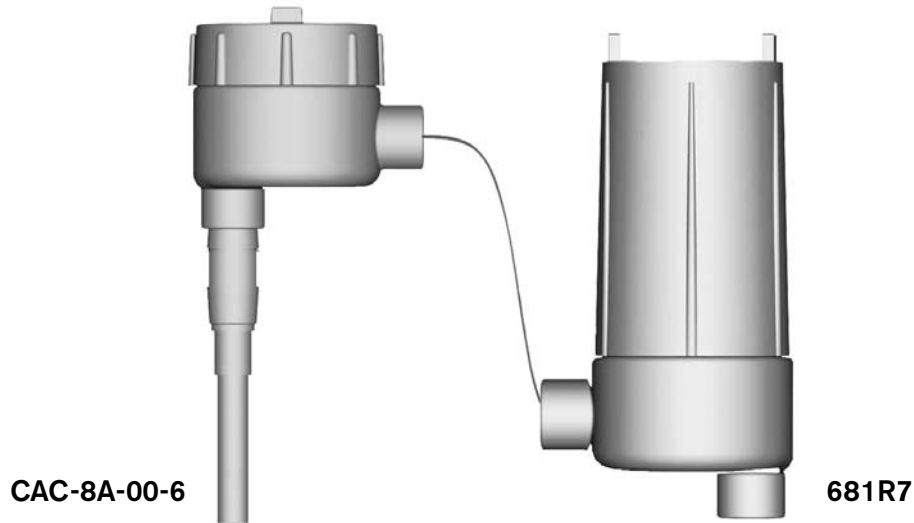




RF Capacitance Level Controls

Form 1100



Features and Benefits

- Reliability
- Low maintenance costs
- No moving parts
- Interface measurement with on/off and continuous output
- Unaffected by changes in pressure, temperature, specific gravity, vapor or density
- Versatile - can be used with both conductive and non-conductive substances. Manages a variety of liquids, granular solids, powders and slurries.
- Dielectric range is unlimited
- 316SS, Teflon® or Kynar probes
- Can be used in virtually every type of chamber
- Set point/span are completely adjustable
- Withstands temperatures up to 400°F (204°C)
- Withstands pressure up to 2000 psig (138 bar)

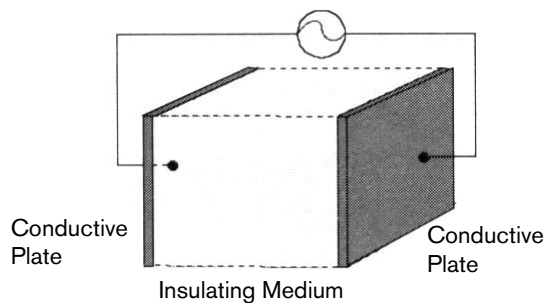
RF Capacitance Level Controls

Principle

Operating Principle

RF Capacitance level controls are based on an electronic device called a capacitor. The capacitor is a device that stores energy. This energy is not stored in the probe; rather, the RF Capacitance level control is merely measuring how much energy can be stored. The amount of capacitance the RF Capacitance level control is measuring is extremely small and is measured in picofarads (1×10^{-12} farads).

The capacitor is made up of two conductive plates parallel to each other. Separating the two plates is an insulator.



The amount of energy a capacitor can store is influenced by several things. First, a larger plate area results in more space to store energy. Second, more space between the plates reduces the amount of energy storage. Finally, a higher dielectric constant media can contain more energy than a lower dielectric media. The dielectric is where the actual capacitance is developed. The following chart shows the dielectric constant and conductivity for some sample materials.

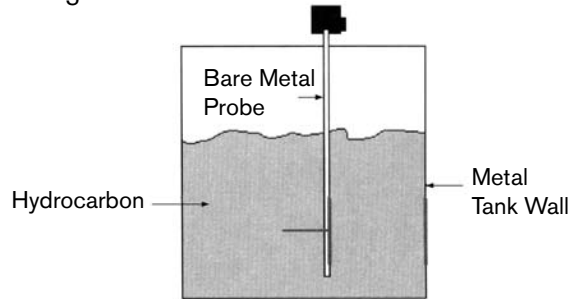
Dielectric Constant			
2	6.9	20	50 80 or more
Acetone	Popcorn	Alcohol	Glycerin Water
Conductivity			
1.6	5	14.6	31.5 60 or more
Acetone	Popcorn	Alcohol	Glycerin Water

Substances are considered either conductive or non-conductive. Non-conductive materials have a dielectric less than 10 or a conductivity less than $10 \mu\text{siemens/cm}$. Conductive materials have a dielectric constant greater than 10 or a conductivity greater than $10 \mu\text{siemens/cm}$. Interestingly, there is a similar relationship between dielectric constant and conductivity. Non-conductive substances tend to have low dielectric constants and conductive substances tend to have high dielectric constants.

Form 1100

Non-Conductive Substances

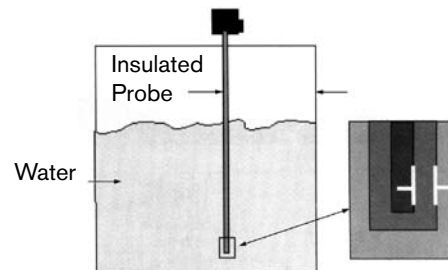
The structure of the capacitor actually changes in a level application. One plate is the probe and the other is the wall of the tank (see following figure). These do not change, nor does the distance between them. The only thing that changes is the dielectric constant. Air has a dielectric constant of one; anything else you measure will have dielectric value greater than one.



When the substance level increases, the dielectric of the substance is replacing the air and causes the capacitance to increase. The preset capacitance value is equal to the set point level wanted and trips a switch when the level is reached. The transmitter creates a linear output in relationship to the capacitance measured.

Conductive Substances

The substance between the two plates has to be an insulator in order to have a capacitor. When a conductive material is between the plates, an electrical short is created. This, in turn, signals the level transmitter to indicate a high level. A Teflon insulator around the sensor will prevent this from happening, as the figure below demonstrates.



An electrical connection is created through the conductive substance from the tank wall and the Teflon probe. When the level in the tank rises, the capacitor is created by the metal probe rod, the substance being measured and the probe insulator (Teflon), where the sensor rod and substance are the plates and insulator is the dielectric. This means that rather than measuring the dielectric of the substance, the dielectric of the probe where it is covered by the substance is being measured.

sorinc.com

913-888-2630

RF Capacitance Level Controls

Principle

Restrictions of RF

- Sensitive to changes in material dielectric (**Note:** dielectric compensation additives help, but the liquid can stratify.)
- Normally needs field calibration, which requires a change in level
- Dependent on contact with the substance being measured
- Conductive coatings can build up on the sensor and create false readings

The Difference Between RF Capacitance and RF Admittance

Contrary to popular belief, there really isn't an application difference between RF Capacitance and RF Admittance. The only difference is in the electronics; the overall performance of the unit remains the same. That's where the "RF" part comes in, as the following will explain:

RF measurement is actually measuring capacitance, as well as capacitance reactance (impedance). The energy (Radio Frequency) is traveling from one conductive plate to the other. The following equation represents capacitance reactance:

$$X_c = \frac{1}{2\pi fC}$$

where

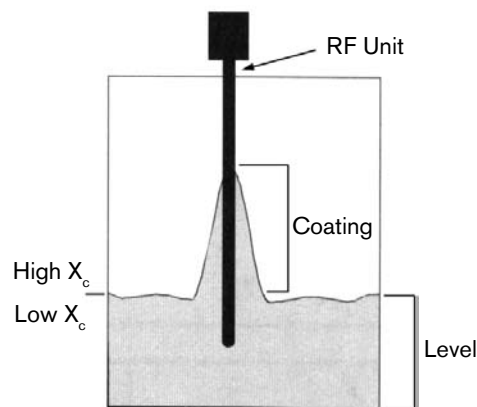
X_c = Capacitance Reactance (Ohms)

2π = Radians in a 360° cycle of AC (alternating current)

f = Frequency of AC (hertz)

C = Capacitance of system (in farads)

When there is a conductive coating on the probe, a non-RF unit will indicate the level at the top of the coating. By looking at the conductivity, an RF system can reduce the error caused by the coating (see following figure). Consider this: At the actual level, the amount of capacitive reactance (impedance) is low because the space between the tank wall and probe is filled with a conductive liquid. However, at the coating on the probe, there is also a large air space between the probe and tank wall. This air space results in a high amount of capacitive reactance.

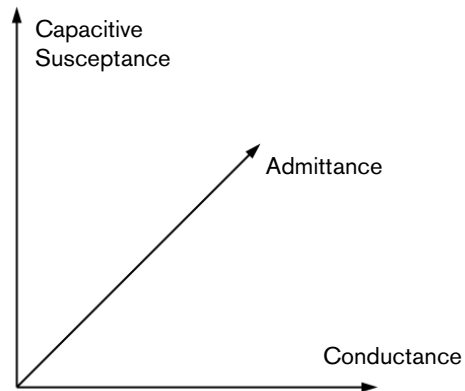
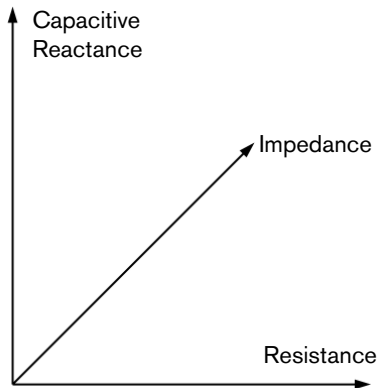


The Difference Between RF Capacitance and RF Admittance

Look at the formula for capacitive reactance. Since we are striving to measure the capacitance, C cannot change, and 2π is a constant and cannot change. The only thing left we can change is the frequency. If the frequency is increased (RF), the capacitive reactance decreases.

The level is represented on the vertical axis in these two graphs. Changes in the resistance are represented on the horizontal axis. A vector representing a combination of the two (impedance) is shown to the left. The inverse of this graph is shown below.

As you can see, an “admittance” measurement is just the inverse of a capacitance measurement. The important part, as previously stated, is the “RF”



Use this chart to select the RF instrument that best meets your needs.

Designator	Line Power	Loop Power
Single-Point Sensing		
Integral Mount Electronics	651 Pages 5-6	651 Pages 5-6
Integral Mount Electronics with Sensor Monitor (Self-Test)	681 Pages 7-8	681 Pages 7-8
Remote Mount Electronics with Sensor Monitor (Self-Test)	681 Pages 7-8	681 Pages 7-8
Multiple-Point Sensing		
Alarm or Pump Control	660 Pages 9-10	N/A

651 Single-Point RF Switch

The 651 provides basic, single-point switching for use as an alarm or indicator. It's virtually immune to process coatings on the probe, making it a useful solution for many tough level applications. This immunity, combined with the absence of any moving parts, makes the 651 well suited for applications that are difficult for other technologies.

Features

- Economical point sensing
- Suitable for 12 VDC service
- FM Approved, CSA Certified hazardous locations, IEC Certified
- Field-selectable failsafe



Product Specifications

Input Power - Line	120 VAC, 50/60 Hz 240 VAC, 50/60 Hz 24 VDC 12 VDC	Response Time	0.5 seconds
Input Power - Loop	12-28 VDC	Enclosure	NEMA 4X; IP65
Output Type - Line	10A DPDT, 250 VAC 10A DPDT, 30 VDC DC rating shown for resistive loads 5A DPDT for 12 VDC input power	Environmental Rating	
Output Type - Loop	8 mA (alarm), 16 mA (normal)	Electrostatic Discharge Protection	8000 volts (Line) 4000 volts (Loop)
Loop Resistive	780 ohms maximum @ 24 VDC	Line Surge Suppression	1000 volts line voltage EMC
Adjustment Range	0 to 1000 pF	Conduit Connection	3/4" NPT
Sensitivity	0.5 pF	Ambient Temperature Range	-40 to 160°F (-40 to 71°C)
Repeatability	0.5%	Process Temperature Range	Probe Dependent
Failsafe	Field-selectable	Maximum Process Pressure	Probe Dependent
Maximum Current Draw (line power)	12 VDC - 100 mA 24 VDC - 50 mA 120 VAC - 20 mA 240 VAC - 10 mA	Weight	2.5 lbs. (1.2 kg)

RF Capacitance Level Controls

How to Order

The 651 consists of two parts. The first is the electronics and housing. The second is the probe. For probe types and model numbers, see pages 21-25.

Model Number System

651 K-7-TTYY

651 RF Admittance Switch with 120 VAC power supply, oversized nameplate and epoxy-coated housing.

1 Power Supply		2 Accessories & Certificates	
12 VDC	5	AI	CSA Intrinsically Safe*
24 VDC	6	CS	CSA Explosion Proof Listing*
120 VAC	7	FI	FM Intrinsically Safe*
240 VAC	8	FM	FM Explosion Proof Listing*
12 - 28 VDC (Loop)	9	MB	IEC Certified Intrinsically Safe*
		OD	60-second time delay ON, 0.5-second delay OFF
		OF	60-second time delay OFF, 0.5-second delay ON
		PP	Fiber tag with customer-specified tag information
		PY	Powder Coat epoxy coating. No coating on stainless steel parts or plated screws. (500 hours-salt spray)
		RR	SS wired on nameplate with customer-specified information
		TT	SS nameplate permanently affixed to housing with customer-specified tag information
		VV	Fungicidal varnish applied to housing exterior
		YY	Epoxy coating applied to housing exterior (200 hours-salt spray)
		Individual Certificates	
		C1	Certificate of Calibration
		C3	Inspection
		C4	Compliance/Conformance
		C6	Insulation Resistance
651K	7	TT YY	Model Number

* Electronics and probe must have the same agency to maintain the listing integrity (i.e. CS or AI electronics with CS probe, or FM or FI electronics with FM probe).

Agency Approval

Agency	Safety Method	Approval	Model(s)
FM	Explosion Proof	Class I, Groups C, D Class II, Groups E, F, G Class III, Division 1	651Kx-FM
	Intrinsically Safe	Class I, Groups A, B, C, D Class II, Groups E, F, G Class III, Division 1	651Kx-FI
CSA	Explosion Proof	Class I, Groups C, D Class II, Groups E, F, G Class III, Division 1	651Kx-CS
	Intrinsically Safe	Class I, Groups A, B, C, D Class II, Groups E, F, G Class III, Division 1	651K9-AI
IEC	Intrinsically Safe	Ex ia IIB T4	651K9-MB



681 Single-Point RF Switch with Self Test

Available as an integral or remote-mounted unit, the 681 provides single-point switching, and with its many safe and operation features, is well suited for demanding industrial applications.

Its "Self-Check" function constantly monitors circuit and probe integrity. A dedicated relay (line powered) or current shift (loop powered) indicates if the unit is not functioning properly. An optional, adjustable differential provides control of two set points with one relay, which gives the 681 pump and valve control for maintaining correct process levels.



Features

- Continuous self testing (Self-Check) verifies operation of the unit
- Optional adjustable differential for pump/valve control
- Available as integral or remote-mounted
- Field-selectable failsafe
- Optional on/off time delay eliminates effects of turbulence
- Resists process media coating

Product Specifications

Input Power - Line	120 VAC, 50/60 Hz 240 VAC, 50/60 Hz 24 VDC, 12 VDC	Repeatability	0.5%
Input Power - Loop	10-30 VDC	Failsafe	Field-selectable
Output Type - Line		Maximum Current Draw (line power)	12 VDC - 100 mA 24 VDC - 100 mA 120 VAC - 25 mA 240 VAC - 13 mA
Alarm	10A DPDT, 250 VAC 10A DPDT, 30 VDC	Response Time	0.1 second
Sensor Monitor	10A DPDT, 250 VAC 10A DPDT, 30 VDC DC rating shown for resistive loads	Enclosure Environmental Protection	NEMA 4X; IP65
Output Type - Loop		Electrostatic Discharge Protection	8000 volts (line) 4000 volts (loop)
Alarm	8 mA (Alarm), 16 mA (Normal)	Line Surge Suppression	1000 volts line voltage EMC
Sensor Monitor	24-27 mA	Conduit Connection	3/4" NPT
Loop Resistance	456 ohms maximum @ 24 VDC	Maximum Remote Distance from Sensor	150 ft. (45.7 m)
Adjustment Range	0 to 1000 pF	Ambient Temperature Range	Probe Dependent
Sensitivity	0.5 pF	Maximum Probe Pressure	Probe Dependent
Adjustment Range (Adjustment Differential)	Range I: 0 to 300 pF 0.5 pF sensitivity Range II: 300 to 1000 pF 1.0 pF sensitivity	Weight	3 lbs. (1.4 kg) plus 2 lbs. (1 kg) for remote

RF Capacitance Level Controls

How to Order

The 681 consists of two parts. The first is the electronics and housing. The second is the probe. For probe types and model numbers, see pages 21-25.

Model Number System

681 K-7-TTYY

The 681 RF Admittance Switch with 120 VAC power supply, oversized nameplate and epoxy-coated housing.

<div style="background-color: #8B4513; color: white; padding: 5px; font-weight: bold; font-size: 1.2em;">Electrical Housing</div> <div style="background-color: #8B4513; color: white; padding: 5px; font-weight: bold; font-size: 2em; text-align: center; margin-top: 5px;">1</div> <p style="margin-left: 40px;">Integral Housing</p> <p style="margin-left: 40px;">Remote housing: 150 ft. (45m) maximum</p> <p style="margin-left: 40px;">Order remote cable part #2924-113 and specify length in feet</p>	<div style="background-color: #8B4513; color: white; padding: 5px; font-weight: bold; font-size: 2em;">K</div> <div style="background-color: #8B4513; color: white; padding: 5px; font-weight: bold; font-size: 2em; margin-top: 5px;">R</div>	<div style="background-color: #8B4513; color: white; padding: 5px; font-weight: bold; font-size: 2em; text-align: center;">2</div> <div style="background-color: #8B4513; color: white; padding: 5px; font-weight: bold; font-size: 1.2em;">Power Supply</div> <table border="0" style="margin-top: 10px;"> <tr><td style="text-align: center;">5</td><td>12 VDC</td></tr> <tr><td style="text-align: center;">6</td><td>24 VDC</td></tr> <tr><td style="text-align: center;">7</td><td>120 VAC</td></tr> <tr><td style="text-align: center;">8</td><td>240 VAC</td></tr> <tr><td style="text-align: center;">9</td><td>10 to 30 VDC (Loop)</td></tr> </table>	5	12 VDC	6	24 VDC	7	120 VAC	8	240 VAC	9	10 to 30 VDC (Loop)	<div style="background-color: #8B4513; color: white; padding: 5px; font-weight: bold; font-size: 2em; text-align: center;">3</div> <div style="background-color: #8B4513; color: white; padding: 5px; font-weight: bold; font-size: 1.2em;">Accessories & Certificates</div> <table border="0" style="margin-top: 10px;"> <tr><td style="text-align: center;">AD</td><td>Adjustable differential (do not use DT accessory)</td></tr> <tr><td style="text-align: center;">BK</td><td>Remote electronics flat-surface mounting bracket (R housing only)</td></tr> <tr><td style="text-align: center;">PK</td><td>Pipe mounting kit - BK accessory required (R housing only)</td></tr> <tr><td style="text-align: center;">PP</td><td>Fiber tag with customer-specified information</td></tr> <tr><td style="text-align: center;">PY</td><td>Powder Coat epoxy coating. No coating on stainless steel parts or plated screws. (500 hours-salt spray)</td></tr> <tr><td style="text-align: center;">RR</td><td>SS wired-on nameplate with customer information</td></tr> <tr><td style="text-align: center;">TT</td><td>SS nameplate permanently affixed to housing with customer-specified information</td></tr> <tr><td style="text-align: center;">VV</td><td>Fungicidal varnish applied to housing exterior</td></tr> <tr><td style="text-align: center;">YY</td><td>Epoxy coating applied to housing exterior (200 hours-salt spray)</td></tr> <tr><td colspan="2" style="padding-top: 10px;">Individual Certificates</td></tr> <tr><td style="text-align: center;">C1</td><td>Certificate of Calibration</td></tr> <tr><td style="text-align: center;">C3</td><td>Inspection</td></tr> <tr><td style="text-align: center;">C4</td><td>Compliance/Conformance</td></tr> <tr><td style="text-align: center;">C6</td><td>Insulation Resistance</td></tr> </table>	AD	Adjustable differential (do not use DT accessory)	BK	Remote electronics flat-surface mounting bracket (R housing only)	PK	Pipe mounting kit - BK accessory required (R housing only)	PP	Fiber tag with customer-specified information	PY	Powder Coat epoxy coating. No coating on stainless steel parts or plated screws. (500 hours-salt spray)	RR	SS wired-on nameplate with customer information	TT	SS nameplate permanently affixed to housing with customer-specified information	VV	Fungicidal varnish applied to housing exterior	YY	Epoxy coating applied to housing exterior (200 hours-salt spray)	Individual Certificates		C1	Certificate of Calibration	C3	Inspection	C4	Compliance/Conformance	C6	Insulation Resistance
5	12 VDC																																								
6	24 VDC																																								
7	120 VAC																																								
8	240 VAC																																								
9	10 to 30 VDC (Loop)																																								
AD	Adjustable differential (do not use DT accessory)																																								
BK	Remote electronics flat-surface mounting bracket (R housing only)																																								
PK	Pipe mounting kit - BK accessory required (R housing only)																																								
PP	Fiber tag with customer-specified information																																								
PY	Powder Coat epoxy coating. No coating on stainless steel parts or plated screws. (500 hours-salt spray)																																								
RR	SS wired-on nameplate with customer information																																								
TT	SS nameplate permanently affixed to housing with customer-specified information																																								
VV	Fungicidal varnish applied to housing exterior																																								
YY	Epoxy coating applied to housing exterior (200 hours-salt spray)																																								
Individual Certificates																																									
C1	Certificate of Calibration																																								
C3	Inspection																																								
C4	Compliance/Conformance																																								
C6	Insulation Resistance																																								
681	K	7	<table border="0" style="width: 100%;"> <tr> <td style="text-align: center; vertical-align: middle;">TT YY</td> <td style="font-size: 1.5em; vertical-align: middle;">←</td> <td style="vertical-align: middle;">Model Number</td> </tr> </table>	TT YY	←	Model Number																																			
TT YY	←	Model Number																																							

Agency Approval

There are no third-party approvals at this time.

660 Series Multi-Point RF Switch

The 660 Series provides the options of multiple-point switching plus narrow and wide differential switching. By combining these features, the 660 Series units can be used for a wide variety of control needs. The available switching combinations are designed to provide multiple alarms, pump/valve control, or a combination of alarms and equipment control. The 660 Series makes it possible to combine up to four single-point devices into one package for lower costs and reduced maintenance.

Features

- Up to 4-point indication
- Suitable for 12 VDC service
- FM Approved and CSA Certified for hazardous locations
- Field-selectable failsafe
- Resists process media coating



Switching Combinations

The 660 Series has eight different combinations of fixed differential and/or adjustable differential switching points. Each unit is equipped with one of four discreet switching points. These points can be used to provide true point level sensing with no level differential, or latched together to provide wide, adjustable differential.

See page 11 for available combinations. Required combinations are selected using step 1 in the How to Order chart on page 10.

Product Specifications

Input Power	120 VAC, 50/60 Hz 240 VAC, 50/60 Hz 24 VDC, 12 VDC	Enclosure	NEMA 4X; IP65
Output Type	10A DPDT, 250 VAC 10A DPDT, 30 VDC DC rating shown for resistive loads	Environmental Protection	
Adjustment Range	0 to 2000 pF	Electrostatic Discharge Protection	8000 volts
Sensitivity	0.5 pF	Line Surge Suppression	1000 volts line voltage EMC
Repeatability	0.5%	Conduit Connection	1" NPT(F)
Failsafe	Field-selectable	Maximum Remote Distance from Sensor	4000 feet (1219.2 m)
Maximum Current Draw	12 VDC - 245 mA 24 VDC - 123 mA 120 VAC - 74 mA 240 VAC - 36 mA	Ambient Temperature Range	-40 to 160°F (-40 to 71°C)
Response Time	0.5 second (standard)	Process Temperature Range	Probe Dependent
Time Delay (optional)	0 to 30 seconds	Maximum Probe Pressure	Probe Dependent
		Weight	J Housing: 9 lbs. (4.1 kg) R Housing: 11 lbs. (5 kg) W Housing: 6 lbs. (2.7 kg)

RF Capacitance Level Controls

How to Order

The Series 660 is comprised of two parts. The first is the electronics and housing. The second is the probe. Refer to pages 21-25 for probe model number.

Model Number System



66 3 J5-TD VV

663 RF Admittance 3-point switch with 12 VDC power supply, time delay and fungicidal varnished housing.

Electrical Housing		2	Power Supply		3
Integral housing	J		5	12 VDC	
Explosion-proof remote housing (4000 feet [1219.m] maximum)	R		6	24 VDC	
Weatheright remote housing (4000 feet [1219.2m] maximum)	W		7	120 VAC	
		8	240 VAC		
Switching Combination		1	Accessories & Certificates		4
See page 11 for switching combinations.			BK	Remote electronics flat surface mounting bracket (R housing only)	
Single fixed differential switching point	1		CS	CSA explosion-proof listing*	
Two fixed differential switching points	2		FM	FM explosion-proof listing*	
Three fixed differential switching points	3		PK	Pipe mounting kit- BK accessory required (R housing only)	
Four fixed differential switching points	4		PP	Fiber tag with customer-specified information	
Single adjustable differential switching	5		PY	Powder Coat epoxy coating. No coating on stainless steel parts or plated screws. (500 hours-salt spray)	
High-level fixed differential point and adjustable differential switching	6		RR	SS wired-on nameplate with customer-specified information	
Single adjustable differential and low-level fixed differential point switching	7		TD	Time delay for each fixed differential set point	
High- and low-level fixed differential points and adjustable differential switching	8		TT	SS nameplate permanently affixed to housing with customer-specified information	
			VV	Fungicidal varnish applied to housing exterior	
			YY	Epoxy coating applied to housing exterior (200 hours-salt spray)	
			Individual Certificates		
			C1	Certificate of Calibration	
			C3	Inspection	
			C4	Compliance/Conformance	
			C6	Insulation Resistance	
66	3	J	5	TD VV	← Model Number

* Electronics and probe must have the same agency to maintain the listing integrity (i.e. CS or AI electronics with CS probe, or FM or FI electronics with FM probe).

Agency Approval

Agency	Safety Method	Approval	Model(s)	
FM	Explosion Proof	Class I, Groups B, C, D Class II, Groups E, F, G Class III, Division 1	66x-Jx-FM 66x-Rx-FM	
CSA	Explosion Proof	Class I, Groups C, D Class II, Groups E, F, G Class III, Division 1	66x-Jx-CS 66x-Rx-CS	

Connection Cable

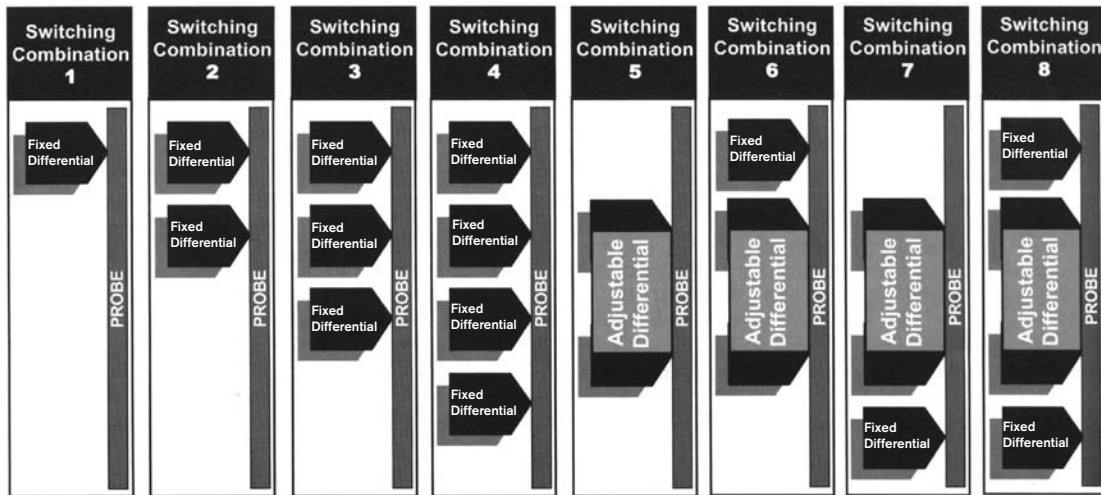
Remote units require #22AWG shielded twisted pair cable to connect the control to the probe. The maximum length of this cable is 4000 feet (1219.2m).

A 25 ft. (7.6m) cable is supplied with each unit. Other lengths can be ordered per the information below. The cable glands supplied with the unit must be replaced with suitable fittings when installing conduit.

- Specific length cable Part Number 2924-103 Specify length and units
- 1000 ft. (305m) reel Part Number 2924-102 (reel is non-returnable)

Order cable by the part numbers listed below.

Series 660 Switching Combinations



670 RF Transmitter

The 670 provides continuous level measurement and a 4-20 mA linear output. It is a high-performance, general-purpose level transmitter that is well suited for many demanding applications that other technologies cannot handle.

Features

- FM Approved, CSA Certified hazardous locations
- Easy calibration
- Electrostatic discharge protection up to 4000 volts
- Resists process media coating



Product Specifications

Input Power	12-55 VDC 12-30VDC for Intrinsically Safe	Enclosure Environmental Rating	NEMA 4X; IP65
Output Type	4-20 mA	Electrostatic Discharge Protection	4000 volts
Loop Resistance	600 ohms maximum @ 24 VDC	Conduit Connection	3/4" NPT
Zero Range	0 to 500 pF	Maximum Remote Distance from Sensor	10 ft. (3m)
Span Range	50 to 2000 pF	Ambient Temperature Range	-40 to 160°F (-40 to 71°C)
Accuracy	±1.0% of span	Process Temperature Range	Probe Dependent
Linearity	±0.5% of full scale	Maximum Process Pressure	Probe Dependent
Sensitivity	0.5 pF	Weight	2.5 lbs. (1.2 kg) plus 2 lbs. (1 kg) for remote
Repeatability	±0.5% of full scale		
Response Time	0.1 second		

RF Capacitance Level Controls

How to Order

The 670 consists of two parts. The first is the electronics and housing. The second is the probe. For probe types and model numbers, see pages 21-25.

Model Number System

670 R 9-BKPK

670 RF Transmitter with loop-powered remote housing, flat-surface mounting bracket and pipe mounting kit.

1 Electrical Housing

Integral Housing **K**
 Remote housing - 10 feet (3m) maximum **R**
 Order remote cable as 670-XX-S
 XX= cable length in feet

* Electronics and probe must have the same agency to maintain the listing integrity (i.e. CS or AI electronics with CS probe, or FM or FI electronics with FM probe).

2 Accessories & Certificates

- AI** CSA Intrinsically Safe*
 - BK** Remote electronics flat surface mounting bracket (R housing only)
 - CS** CSA Explosion Proof*
 - FI** FM Intrinsically Safe*
 - FM** FM Explosion Proof*
 - PK** Pipe mounting kit - BK accessory required (R housing only)
 - PP** Fiber tag with customer-specified information
 - PY** Powder Coat epoxy coating. No coating on stainless steel parts or plated screws. (500 hours-salt spray)
 - RR** SS nameplate permanently affixed to housing with customer-specified information
 - TT** SS nameplate permanently affixed to housing
 - VV** Fungicidal varnish applied to housing exterior
 - YY** Epoxy coating applied to housing exterior (200 hours-salt spray)
- Individual Certificates**
- C1** Certificate of Calibration
 - C3** Inspection
 - C4** Compliance/Conformance
 - C6** Insulation Resistance

670 **R** 9 **BK PK** ← Model Number

Agency Approval

Agency	Safety Method	Approval	Model(s)
FM	Explosion Proof	Class I, Groups C, D Class II, Groups E, F, G Class III, Division 1	670x9-FM
	Intrinsically Safe	Class I, Groups A, B, C, D Class II, Groups E, F, G Class III, Division 1	670x9-FI
CSA	Explosion Proof	Class I, Groups C, D Class II, Groups E, F, G Class III, Division 1	670x9-CS
	Intrinsically Safe	Class I, Groups A, B, C, D Class II, Groups E, F, G Class III, Division 1	670x9-AI



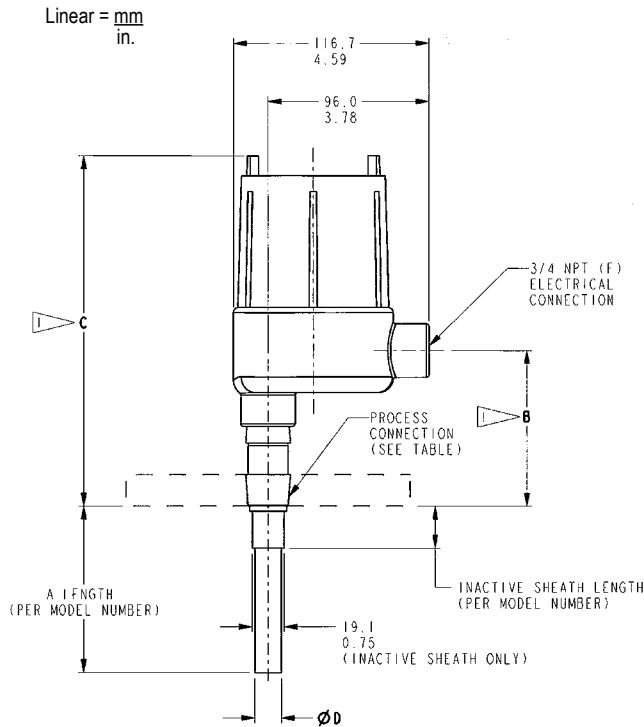
RF Capacitance Level Controls

Dimensions

Housing: K for Model 651

Dimensions in this catalog are for reference only. They may be changed without notice. Contact the factory for certified drawings for a particular model number. Dimensions in this catalog are expressed as millimeters over inches. (Linear = mm/in.)

Drawing 0390652



PROCESS CONNECTION	DIM B		DIM C	
	CABLE PROBE	ALL OTHER PROBES	CABLE PROBE	ALL OTHER PROBES
3/4 NPT (M)	87.8 3.46	94.1 3.71	205.2 8.08	211.6 8.33
1, 1-1/2, & 2 NPT (M)	99.7 3.92	97.3 3.83	217.2 8.55	214.8 8.46
FLANGED	158.5 6.24	158.5 6.24	276.0 10.87	276.0 10.87
STILLING WELL	N/A	120.0 4.72	N/A	237.5 9.35
SANITARY	N/A	94.1 3.71	N/A	211.6 8.33

SENSOR STYLE	ØD
BARE	12.7 0.50
SHEATH	15.9 0.63
BARE WITH STILLING WELL	26.7 1.05
SHEATH WITH STILLING WELL	26.7 1.05
CABLE	7.90 0.31
INACTIVE SHEATH	15.9 0.63
SANITARY	15.9 0.63

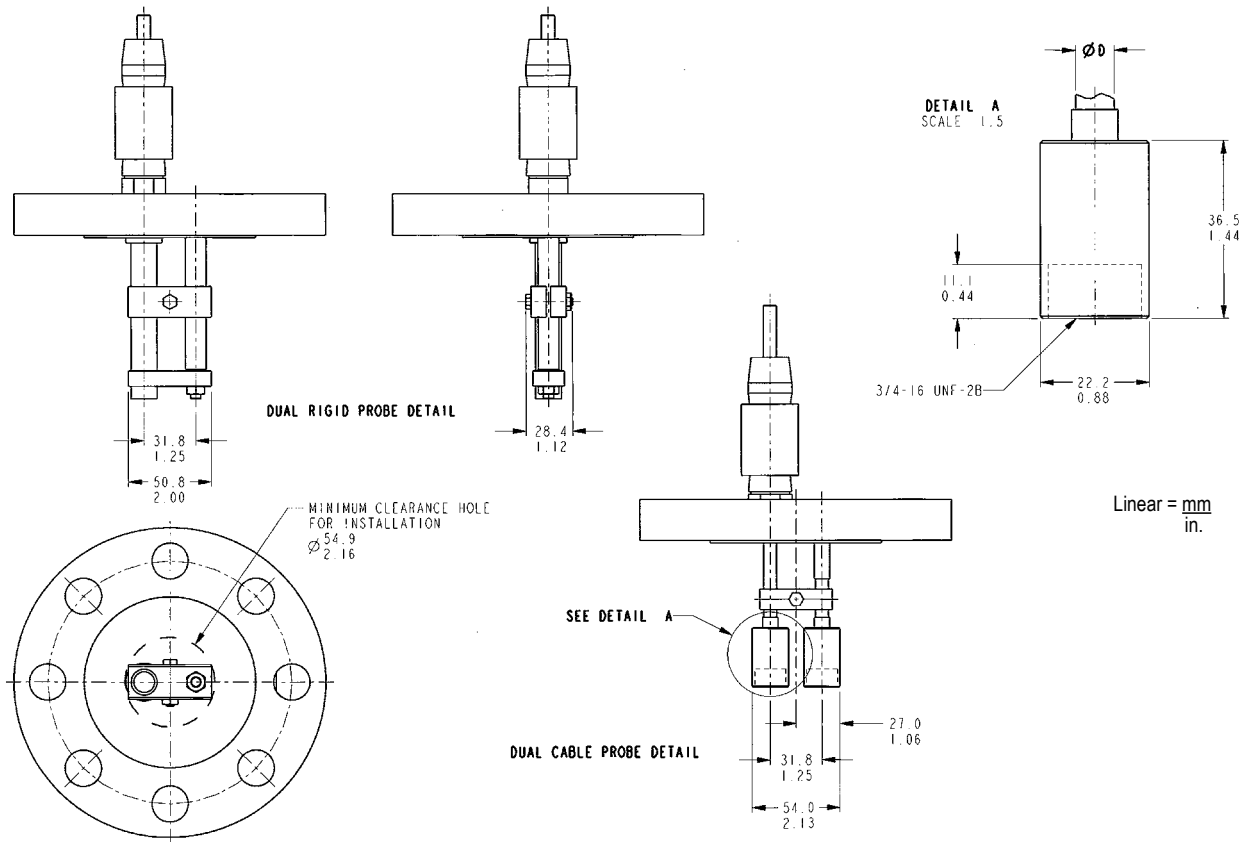
NOTES:
1. THESE DIMENSIONS ARE BASED UPON A 5 THREAD ENGAGEMENT.

RF Capacitance Level Controls

Dimensions

Housing: K for Model 651

Drawing 0390652



RF Capacitance Level Controls

Dimensions

Housing: R for Model 670 & 681

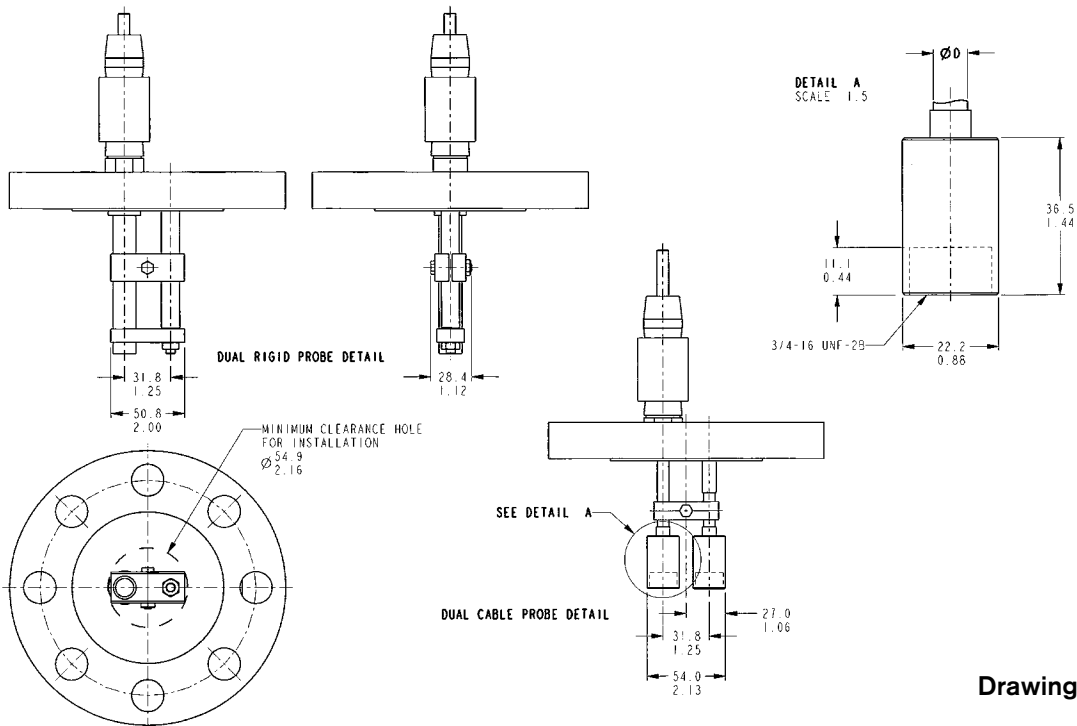
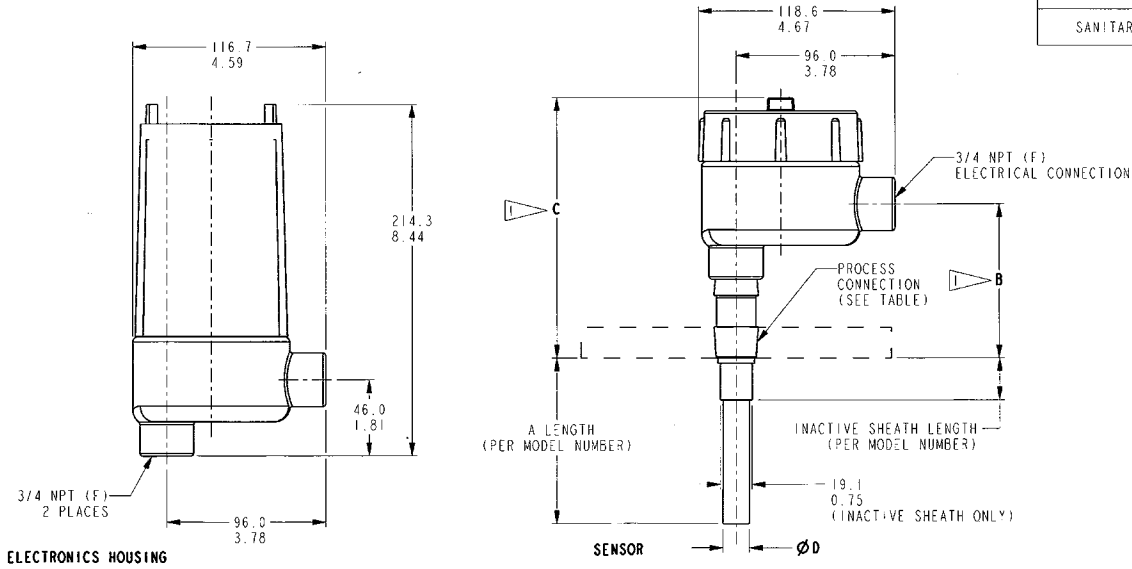
Drawing 0390653

PROCESS CONNECTION	DIM B		DIM C	
	CABLE	ALL OTHER	CABLE	ALL OTHER
3/4 NPT (M)	87.8 3.46	94.1 3.71	152.9 6.02	159.2 6.27
1, 1-1/2, & 2 NPT (M)	99.7 3.92	97.3 3.83	164.8 6.49	162.4 6.39
FLANGED	158.5 6.24	158.5 6.24	223.7 8.81	223.7 8.81
STILLING WELL	N/A	120.0 4.72	N/A	185.1 7.29
SANITARY	N/A	94.1 3.71	N/A	159.2 6.27

NOTES:
1. THESE DIMENSIONS ARE BASED UPON A 5 THREAD ENGAGEMENT.

Linear = mm
in.

SENSOR STYLE	DIM D
BARE	12.7 0.50
SHEATH	15.9 0.63
BARE WITH STILLING WELL	26.7 1.05
SHEATH WITH STILLING WELL	26.7 1.05
CABLE	7.9 0.31
INACTIVE SHEATH	15.9 0.63
SANITARY	15.9 0.63



Linear = mm
in.

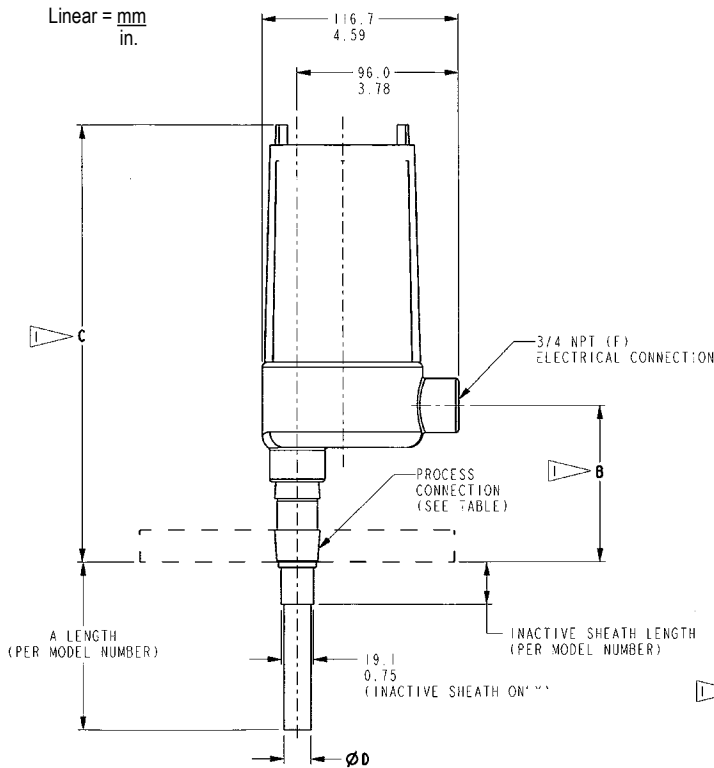
Drawing 0390653

RF Capacitance Level Controls

Dimensions

**Housing: K for Model 670 & 681
(RF Probe Model 651-K9)**

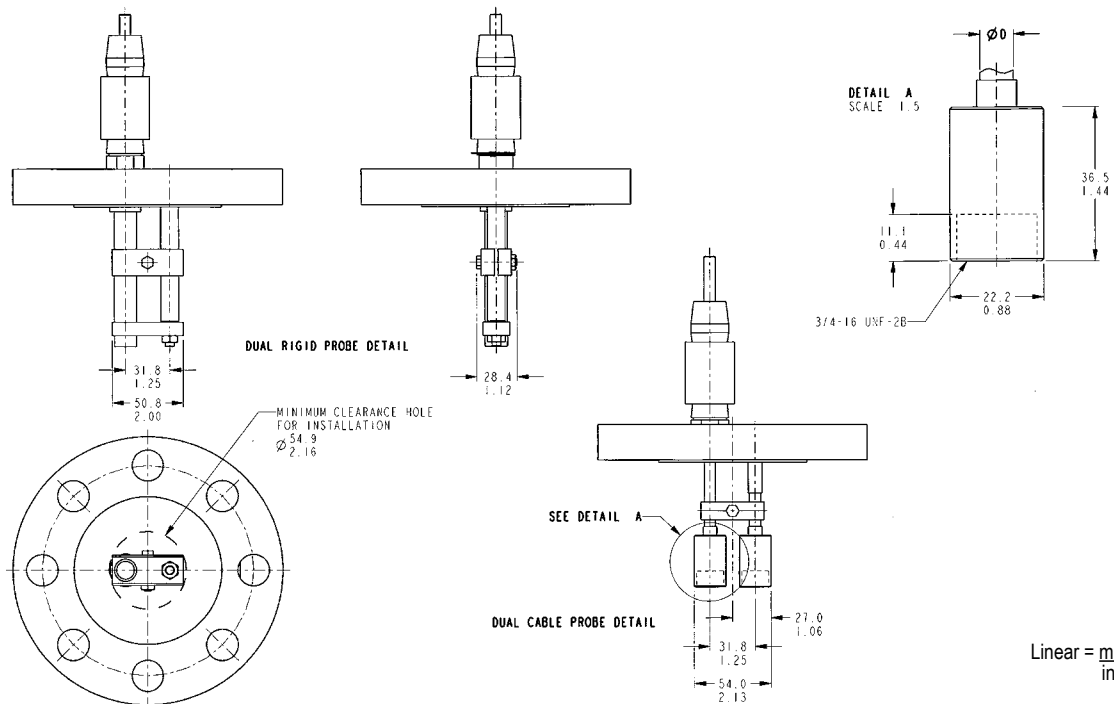
Drawing 0390654



PROCESS CONNECTION	DIM B		DIM C	
	CABLE PROBE	ALL OTHER PROBES	CABLE PROBE	ALL OTHER PROBES
3/4 NPT (M)	87.8 3.46	94.1 3.71	256.0 10.08	262.4 10.33
1, 1-1/2, & 2 NPT (M)	99.7 3.92	97.3 3.83	268.0 10.55	265.6 10.46
FLANGED	158.5 6.24	158.5 6.24	326.8 12.87	326.8 12.87
STILLING WELL	N/A	120.0 4.72	N/A	288.3 11.35
SANITARY	N/A	94.1 3.71	N/A	262.4 10.33

SENSOR STYLE	$\varnothing D$
BARE	12.7 0.50
SHEATH	15.9 0.63
BARE WITH STILLING WELL	26.7 1.05
SHEATH WITH STILLING WELL	26.7 1.05
CABLE	7.90 0.31
INACTIVE SHEATH	15.9 0.63
SANITARY	15.9 0.63

NOTES:
1. THESE DIMENSIONS ARE BASED UPON A 5-THREAD ENGAGEMENT.

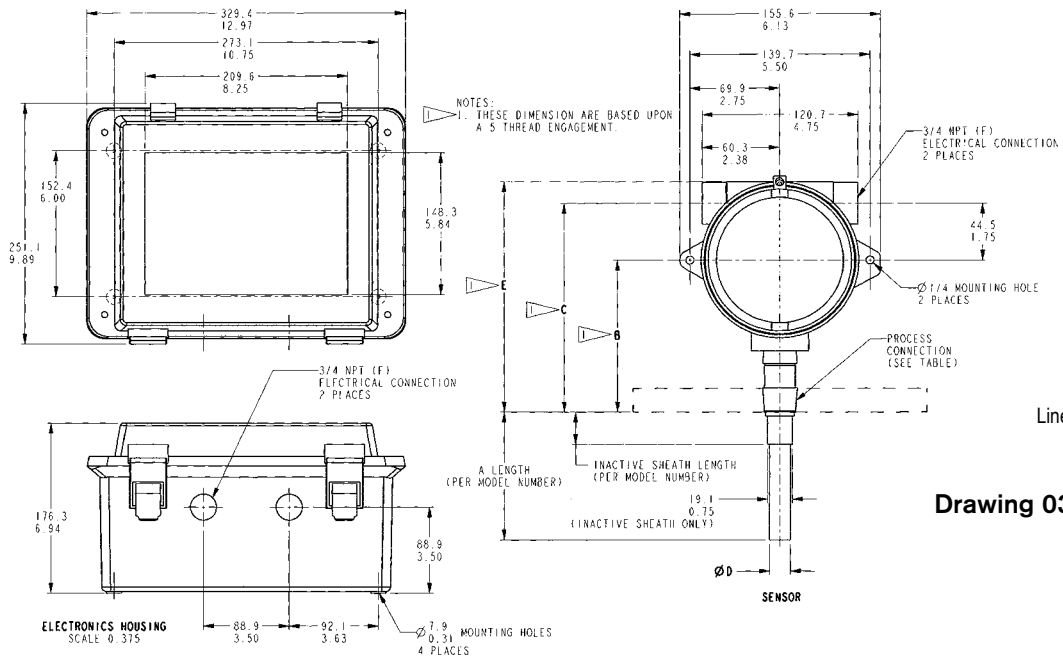


Linear = $\frac{\text{mm}}{\text{in.}}$

RF Capacitance Level Controls

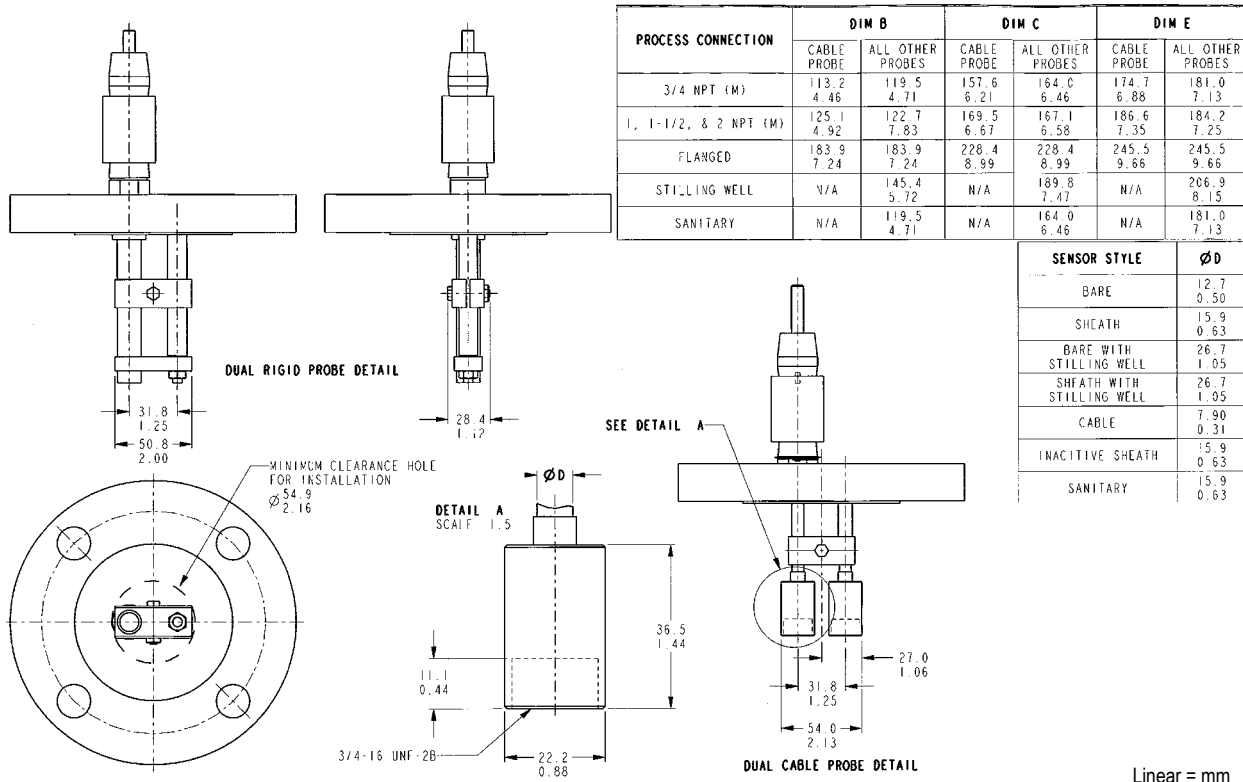
Dimensions

Housing: W for Model 66X



Linear = mm
in.

Drawing 0390655



Linear = mm
in.

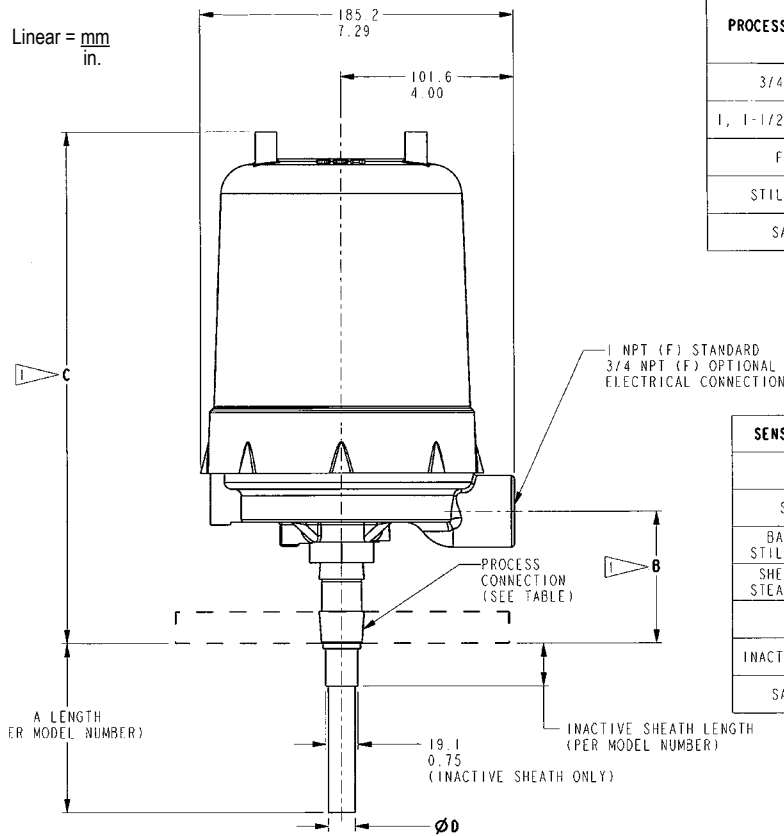
Drawing 0390655

RF Capacitance Level Controls

Dimensions

Housing: J for Model 66X

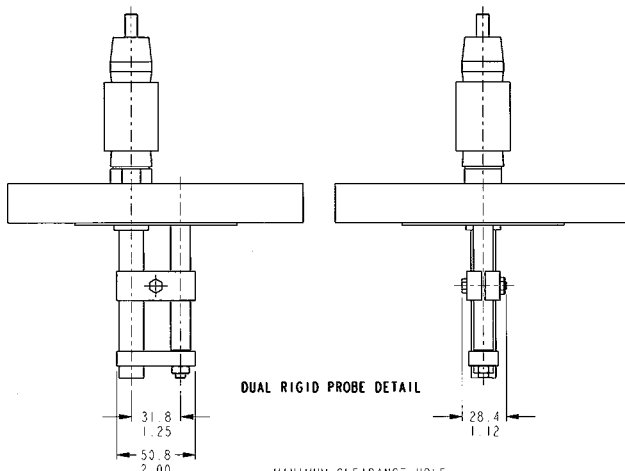
Drawing 0390656



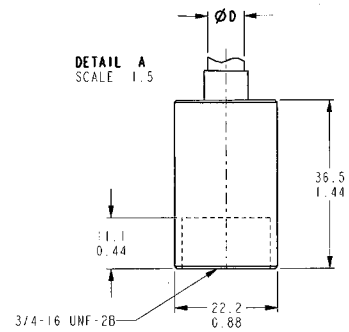
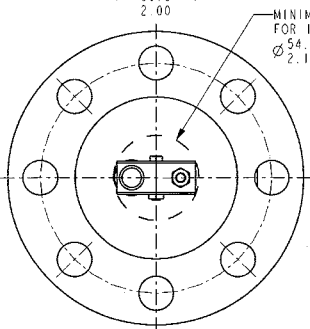
PROCESS CONNECTION	DIM B		DIM C	
	CABLE PROBE	ALL OTHER PROBES	CABLE PROBE	ALL OTHER PROBES
3/4 NPT (M)	72.3 2.85	78.6 3.10	299.3 11.78	305.6 12.03
1, 1-1/2, & 2 NPT (M)	84.2 3.31	81.8 3.22	311.2 12.25	308.8 12.16
FLANGED	143.0 5.63	183.9 7.24	370.1 14.57	370.1 14.57
STILLING WELL	N/A	104.5 4.11	N/A	331.5 13.05
SANITARY	N/A	78.6 3.10	N/A	305.6 12.03

NOTES:
1. THESE DIMENSION ARE BASED UPON A 5 THREAD ENGAGEMENT.

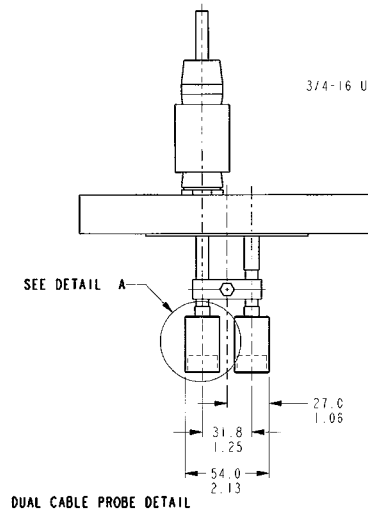
SENSOR STYLE	ØD
BARE	12.7 0.50
SHEATH	15.9 0.63
BARE WITH STILLING WELL	26.7 1.05
SHEATH WITH STILLING WELL	26.7 1.05
CABLE	7.90 0.31
INACTIVE SHEATH	15.9 0.63
SANITARY	15.9 0.63



DUAL RIGID PROBE DETAIL



DETAIL A
SCALE 1.5



DUAL CABLE PROBE DETAIL

Linear = mm in.

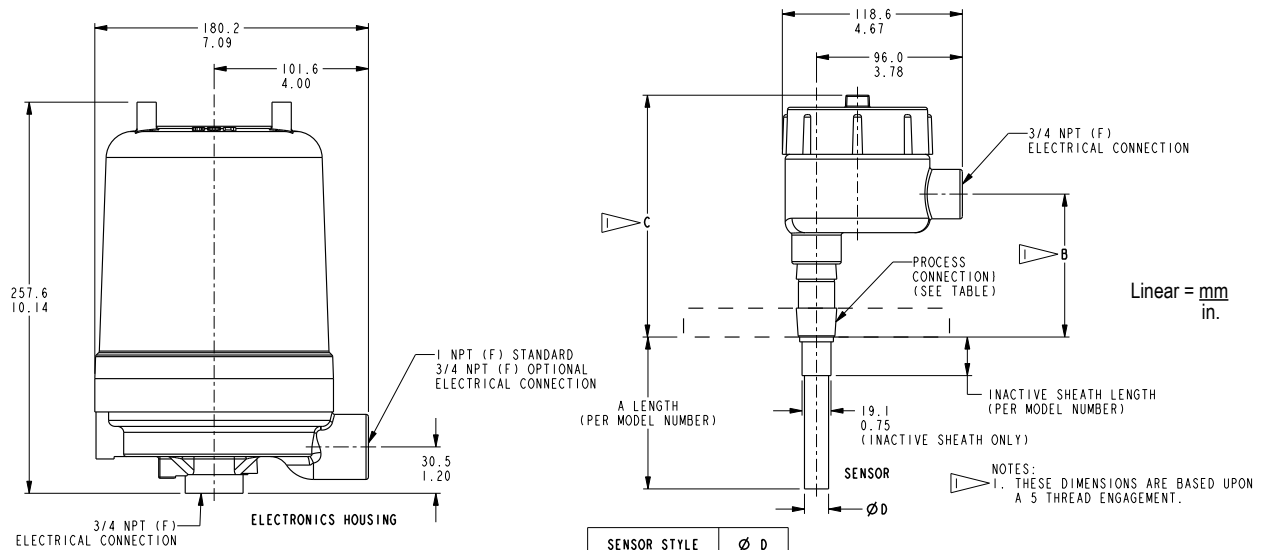
Drawing 0390656

RF Capacitance Level Controls

Dimensions

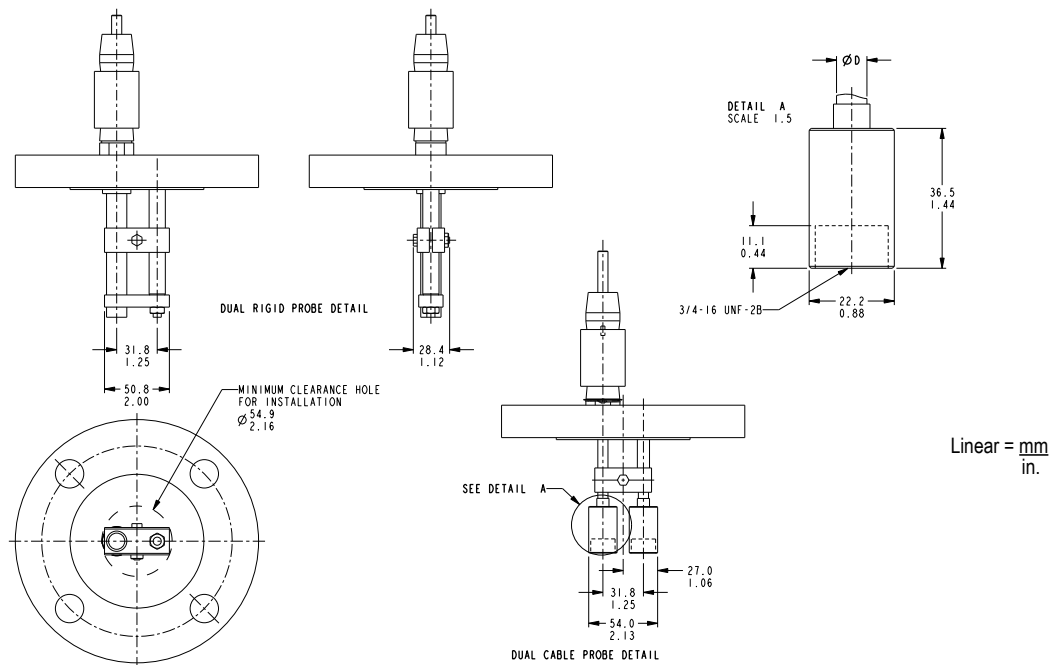
Housing: R for Model 66X

Drawing 0390657



PROCESS CONNECTION	DIM B		DIM C	
	CABLE PROBE	ALL OTHER PROBES	CABLE PROBE	ALL OTHER PROBES
3/4 NPT (M)	87.8 3.46	94.1 3.71	152.9 6.02	159.2 6.27
1, 1-1/2, & 2 NPT (M)	99.7 3.92	97.3 3.83	164.8 6.49	162.4 6.39
FLANGED	158.5 6.24	158.5 6.24	223.7 8.81	223.7 8.81
STILLING WELL	N/A	120.0 4.72	N/A	185.1 7.29
SANITARY	N/A	94.1 3.71	N/A	159.2 6.27

SENSOR STYLE	Ø D
BARE	12.7 0.50
SHEATH	15.9 0.63
BARE WITH STILLING WELL	26.7 1.05
SHEATH WITH STILLING WELL	26.7 1.05
CABLE	7.90 0.31
INACTIVE SHEATH	15.9 0.63
SANITARY	15.9 0.63



Drawing 0390657

Form 1100

20/28

Registered Quality System to ISO 9001:2008

sorinc.com
913-888-2630

Selection Guidelines

Selecting the right probe for your application is very important. The objective is to maximize the amount of capacitance change for every inch (cm) of level change. Following are general guidelines for selecting a probe for a particular application. Please consult with SOR® or your local SOR sales representative for additional and/or specific information.

1. If process media is non-conductive - less than 10 μ Siemens/low dielectric (less than 10), select a bare probe. If there is any water in the process, go to number 2.
2. If process media is conductive - greater than 10 μ Siemens/high dielectric (greater than 10), select an insulated probe.
3. If process is non-conductive and in a horizontal (bullet) tank, or if the probe must be mounted more than 12 inches from the vessel wall, select a stilling well, dual-rod or dual-cable probe.
4. If vessel is non-metallic, select a stilling well, dual-rod or dual-cable probe.
5. Use rigid probes for measurement lengths of 10 feet or less. Use cable probes for longer ranges.
6. For agency-listed controls, a matching agency listing must be specific on the probe. Available probe agency listings are provided in the following charts and specification pages.

Flexible Probes



**Single Flexible
Probe
(non-adjustable)**

Model Number	Probe Material	Sensor Diameter	Spanned Capacitance in Water	Process Temperature Limits	Shipping Weight
CN	Kynar Sheath	5/16" (7.9 mm)	25pF/in.	-50 to 180°F (-45 to 82°C)	0.5 lbs. (0.2 kg) +0.2 lb. (0.9 kg) per foot of probe



**Dual Flexible
Probe
(non-adjustable)**

Model Number	Probe Material	Sensor Diameter	Spanned Capacitance in Water	Process Temperature Limits	Shipping Weight
CP	Kynar Sheath	5/16" (7.9 mm)	25pF/in.	-50 to 180°F (-45 to 82°C)	11 lbs. (5.0 kg) +0.5 lb. (0.2 kg) per foot of probe

Rigid Probes - Sheathed



Single Rigid
Sheath Probe

Model Number	Probe Material	Sensor Diameter	Spanned Capacitance in Water	Process Temperature Limits	Weight
CB	Teflon® sheath	5/8" (15.9 mm)	10 pF/in.	-100 to 400°F (-73 to 204°C)	1 lbs. (0.5 kg) +0.7 lb. (0.3 kg) per foot of probe



Rigid Sheath Probe
with Stilling Well

Model Number	Probe Material	Sensor Diameter	Spanned Capacitance in Water	Process Temperature Limits	Weight
CC	Teflon® sheath inside 316SS stilling well	1.05" (26.7 mm)	12 pF/in.	-100 to 400°F (-73 to 204°C)	2 lbs. (0.9 kg) +1.5 lb. (0.7 kg) per foot of probe



Rigid Sheath
Dual Probe

Model Number	Probe Material	Sensor Diameter	Spanned Capacitance in Water	Process Temperature Limits	Process Pressure	Weight
CD	Teflon® sheath and 316SS ground probe	1/2 & 5/8" (12.7 & 15.9 mm)	10 pF/in.	-100 to 400°F (-73 to 204°C)	Pressure per CB probe or flange rating, whichever is lower	12 lbs. (5.5 kg) +1.5 lb. (0.7 kg) per foot of probe

Rigid Probes - Sheathed



Single Sanitary
Sheath Probe

Model Number	Probe Material	Sensor Diameter	Spanned Capacitance in Water	Process Temperature Limits	Process Pressure	Weight
CK	Teflon® sheath	5/8" (15.9 mm)	10 pF/in.	0 to 250°F (-18 to 121°C)	Maximum pressure is customer clamp dependent	1 lb. (0.5 kg) +0.7 lb. (0.3 kg) per foot of probe



Single Inactive
Sheath Probe

Model Number	Probe Material	Sensor Diameter	Spanned Capacitance in Water	Process Temperature Limits	Weight
CJ	Teflon® sheath 316SS sheath	5/8 & 3/4" (15.9 & 19.1 mm)	10 pF/in.	-100 to 400°F (-73 to 204°C)	1 lb. (0.5 kg) +0.7 lb. (0.3 kg) per foot of probe

Rigid Probes - Bare



Single Rigid
Bare Probe

Model Number	Probe Material	Sensor Diameter	Spanned Capacitance in Water	Process Temperature Limits	Weight
CA	316SS	1/2" (12.7 mm)	N/A	-100 to 400°F (-73 to 204°C)	1 lb. (0.5 kg) +0.7 lb. (0.3 kg) per foot of probe



Single Rigid
Bare Probe
with Stilling Well

Model Number	Probe Material	Sensor Diameter	Spanned Capacitance in Water	Process Temperature Limits	Weight
CE	Bare 316SS probe inside 316SS stilling well	1.05" (26.7 mm")	N/A	-100 to 400°F (-73 to 204°C)	2 lbs. (0.9 kg) +1.5 lb. (0.7 kg) per foot of probe

Model Number System

CB C-8A-CS-12-TT

Process Connection		3				
3/4" NPT	8A					
1" NPT (Required size on CC and CE probes)	1A					
1-1/2" NPT	9A					
2" NPT	2A					
1" 150# ANSI RF Flange	1C					
1-1/2" 150# ANSI RF Flange	9C					
2" 150# ANSI RF Flange	2C					
3" 150# ANSI RF Flange (3C, 3D, 4C, 4D only on CD & CP probes)	3C					
4" 150# ANSI RF Flange	4C					
1" 300# ANSI RF Flange	1D					
1-1/2" 300# ANSI RF Flange	9D					
2" 300# ANSI RF Flange	2D					
3" 300# ANSI RF Flange	3D					
4" 300# ANSI RF Flange	4D					
1" Tri-Clamp Sanitary (CK probes only)	1T					
1-1/2" Tri-Clamp Sanitary (CK probes only)	9T					
2" Tri-Clamp Sanitary (CK probes only)	2T					
Sensor Material		2				
316SS (Standard except on CK probes)	C					
Polished 316LSS (Standard on CK probes)	D					
Sensor Style		1				
Rigid 316SS Single Probe	CA					
Rigid Teflon Single Probe	CB					
Rigid Teflon Single Probe with Stilling Well	CC					
Rigid Teflon Dual Probe (316SS Ground)	CD					
Rigid 316SS Single Probe with Stilling Well	CE					
Rigid Teflon Single Probe with 3/4" OD Inactive Sheath	CJ					
Rigid Teflon Single Sanitary Probe	CK					
Flexible Kynar Single Probe	CN					
Flexible Kynar Dual Probe	CP					
CB	C	8A	CS	00012	TT	← Model Number
			4 Agency Approval			
			00 No Agency Approvals required			
			CS CSA (not available on CA, CE, CK)*			
			FM FM (not available on CA, CE, CN, CP, CK)*			
			MB IECEx (not available on CA, CE, CJ, CK, CN, CP)*			
			5 Sensor Length			
			XXX.X Sensor length in inches. Lengths are 5 places including the decimal and leading zeros (see Accessories for different units). Sensor style CJ requires a sensor length followed by an inactive sheath length. See page 19 for limits of probe length.			
			6 Accessories & Certificates			
			FT Probe length specified in feet (ft.)			
			MK Probe length specified in meters (m)			
			ML Probe length specified in centimeters (cm)			
			PP Fiber tag with customer-specified information			
			RR SS tag wired on with customer-specified information			
			TT SS tag riveted on with customer-specified information			
			Individual Certificates			
			C2 Hydrostatic Pressure Test			
			C8 Typical Material of Wetted Parts			

RF Capacitance Level Controls

Agency Approval

Agency	Safety Method	Approval	Model(s)
FM	Explosion Proof	Class I, Groups B, C, D Class II, Groups E, F, G Class III, Division 1	CB, CC, CD and CJ
CSA	Explosion Proof	Class I, Groups C, D Class II, Groups E, F, G Class III, Division 1	CB, CC, CD CJ, CN and CP
IEC	Intrinsically Safe	Ex ia IIB T4	CB, CC and CD



* Electronics and probe must have the same agency to maintain the listing integrity (i.e. CS or AI electronics with CS probe, or FM or FI electronics with FM probe).

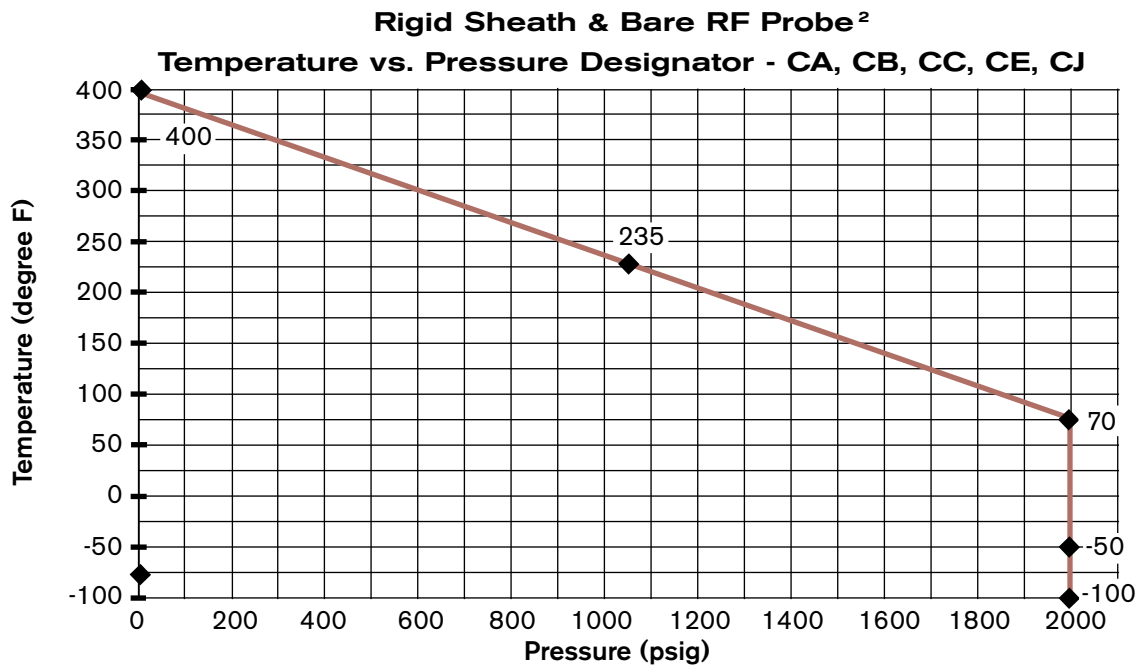
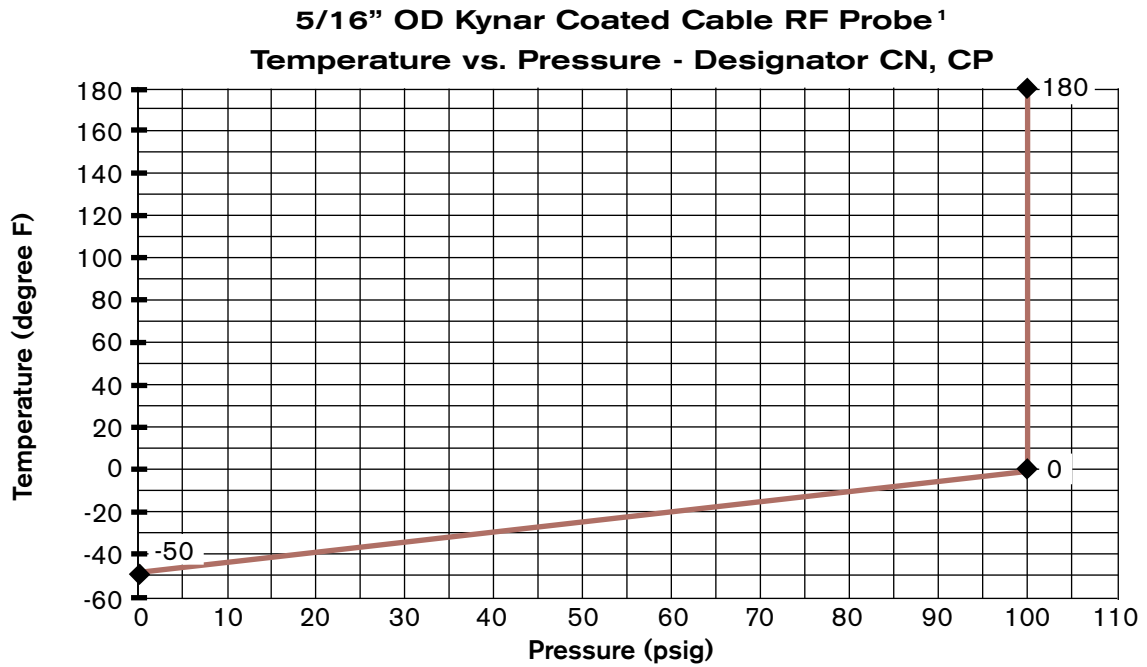
Probe Insertion Lengths

Probe Type	Length (inch)		Length (cm)	
	Minimum	Maximum	Minimum	Maximum
CA	3.5"	234"	8.89	594.4
CB	1.5"	234"	3.81	594.4
CC	2"	234"	5.08	594.4
CD	2"	120"	5.08	304.8
CE	2"	234"	5.08	594.4
CJ	7"	120"	17.78	304.8
Sheath*	1"	114"	2.54	289.6
CK	2"	120"	5.08	304.8
CN	2"	1440"	5.08	3658
CP	3"	720"	7.62	1829

*Sheath length must be selected with CJ only.

Flange Weight and Pressure Rating

Process Connection	Add to Shipping Weight	Maximum Pressure Rating
1C	2 lbs. (1.0 kg)	275 psig (19 bar)
9C	4 lbs. (1.8 kg)	275 psig (19 bar)
2C	5 lbs. (2.3 kg)	275 psig (19 bar)
3C	9 lbs. (4 kg)	275 psig (19 bar)
4C	17 lbs. (8 kg)	275 psig (19 bar)
1D	3 lbs. (1.5 kg)	720 psig (50 bar)
9D	6 lbs. (2.7 kg)	720 psig (50 bar)
2D	8 lbs. (3.6 kg)	720 psig (50 bar)
3D	16 lbs. (7.5 kg)	720 psig (50 bar)
4D	27 lbs. (12.5 kg)	720 psig (50 bar)



Notes

1. Standard pressure rating: 100 psi @ 70°F.
2. Standard pressure rating: 2000 psi @ 70°F.

RF Capacitance Level Controls

Level Instruments Application Data Sheet

Please use the worksheet/data sheet below to provide SOR with specific details of your application. This will allow us to help you select the proper RF model to ensure optimum performance. you may wish to make copies of the black form for future use.

General	1	Tag Number		Company
	2	Application	Level/Interface	Address
	3	Function		
	4	Area Classification	Hazardous/Non-Hazardous	
	5	Agency Approval		
Sensor	6	Probe Model		Contact Name
	7	Orientation	Vertical/Horizontal	Phone
	8	Style		Fax
	9	Process Wetted Materials		E-mail
	10	Insertion (in/cm)	_____ in/cm	Rep Company
	11	Process Connection Size		Rep Contact
Control	12	Location	Integral/Remote	Drawings/Sketches: Please indicate mounting location as well as other connections and internal obstructions.
	13	Enclosure Class	Ex Pf/I.S./NEMA 4	
	14	Conduit Connection		
Switch	15	Electronics Model		
	16	Power Supply		
	17	No. of Setpoints		
	18	Type	Relay/8 or 16 mA	
	19	Quantity/Form	_____ x SPDT/DPDT	
	20	Rating Type	AC/DC	
	21	Rating: Amps	_____ Amps	
	22	Load Type	Inductive/Non-Inductive	
	23	Setpoint Location	Measured from Process Connection (show on drawing)	
	24			
Transmitter	25	Output	4-20 mA	
General Application Conditions	26	Measurement Range		
	27	Process Media Name		
	28	Vessel Shape	Vert. Cylinder/Horiz. Cylinder/Sphere	
	29			
	30	Vessel Material		
	31	Vessel Lining	No/Yes Mat'l. _____	
	32	Press Max. Normal		
	33	Temp. Max. Normal		
	34	Ambient Temp. Range		
	35	Solids (%)		
	36	Specific Gravity		
	37	Viscosity (cp)	_____ (cp)	
	38	Turbulence	Yes/No	
	39	Process Coating	Yes/No	
Float/Displacer	40	Vibration Mixing	Yes/No	
RF Instruments	41	Upper Fluid Name		
	42	Dielectric Constant		
	43	Lower Fluid Name		
	44	Dielectric Constant		
Ultrasonic Switches	45	Aeration		
	46	Suspended Solids (%)		
	47	Hydrocarbon Vapors	Yes/No	
Submersible Pressure	48	Cable Length		
	49	Nose cone	Yes/No	
	50	Manufacturer	SOR	
Notes (list any special options)				Fax completed data sheet to SOR at 913-888-0767.

SOR® offers a full line of commercial-grade process instruments.

**echOsonix®
Level Transmitters**



Level Switches



Temperature Switches



Flow Switches



Pressure Switches



Level

Temperature

Pressure

Flow



Process Instrumentation

We Deliver Quality On Time

SOR Inc.

14685 West 105th Street
Lenexa, Kansas 66215

Phone 913-888-2630
Toll Free 800-676-6794
Fax 913-888-0767

sorinc.com

SOR Europe, Ltd.

Farren Court
Cowfold
West Sussex RH13 8BP
United Kingdom

Phone +44 (0) 1403 864000
Fax +44 (0) 1403 864040

SOR - China

Room 903, No. 10 Building
Wan Da Plaza
No. 93 Jian Guo Road
Chao Yang District
Beijing, China 100022

Phone +86 (10) 5820 8767
Fax +86 (10) 58 20 8770